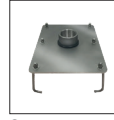
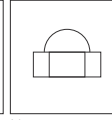


REF. 106

Waterfall in stainless steel AISI 316L
(Marine quality). Polish or satin finish.



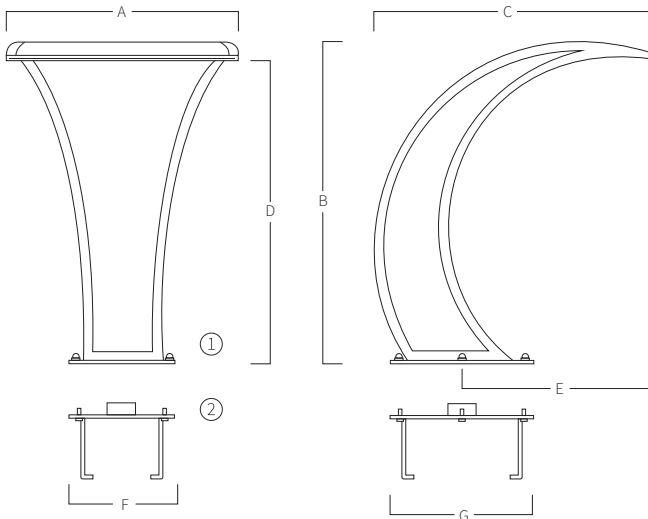
Support
Included



Nuts
Included
(6 units)



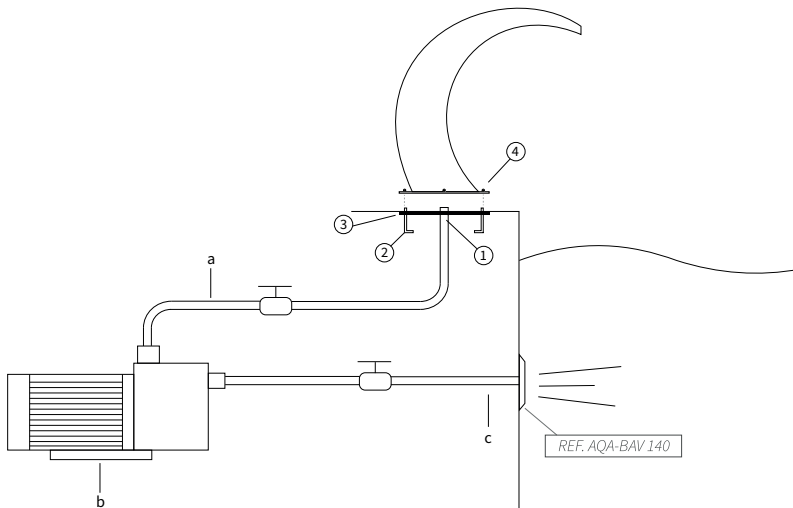
Earth
Connection



A	B	C	D	E	F	G
300	650	600	560	400	180	260
11,81	25,60	23,62	22,05	15,75	07,09	10,24
500	700	600	660	400	230	310
19,69	27,56	23,62	25,99	15,75	09,06	12,20
700	800	765	730	520	255	340
27,56	31,50	30,12	28,74	20,47	10,04	13,39
1000	1000	900	910	550	330	440
39,37	39,37	35,37	35,43	21,65	12,99	17,32

Measure in mm
Measure in inch

- ① Nuts to fix waterfall.
- ② Support to embed in the ground level.



MOUNTING SYSTEM

- 1) Connect the water intake to the support with 2" female fitting.
- 2) Fix the earth connection to the support.
- 3) Embed the support to get the platen at ground level.
- 4) Fix the waterfall with the nuts.
 - a) Impulsion tube 2" (Ø63mm).
 - b) Self-priming pump:
 - 106 (300) 1hp - 17,3m³/h (Ref. AQA-B17).
 - 106 (500) 1,5hp - 21,5m³/h (Ref. AQA-B21).
 - 106 (700) 2hp - 26,6m³/h (Ref. AQA-B26).
 - 106 (1000) 3hp - 38,8m³/h (Ref. AQA-B38).
 - c) Suction tube 2" (Ø63mm).

*Pneumatic or electric button to be defined in work.