

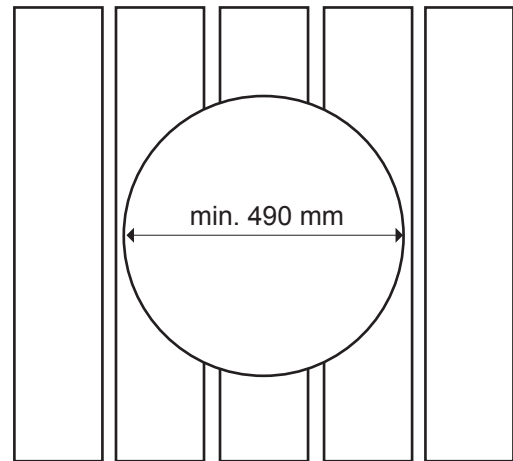
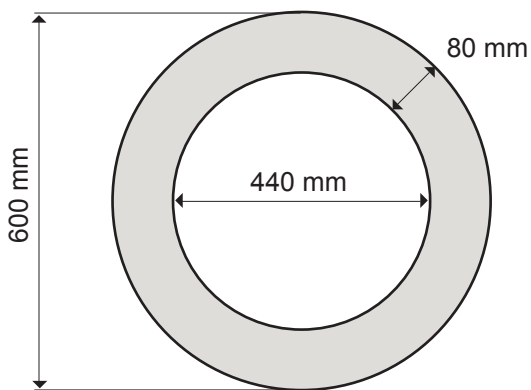


Embedding flange 600

Stainless steel embedding flange 600 is applicable for IKI Pillar heaters: 7,5 kW-12 kW.



Hole for the flange
minimum 490 mm



Install the flange centrally
to the bench

