

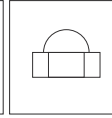


REF. 106A

Waterfall in stainless steel AISI 316L (Marine quality). Polish or satin finish.



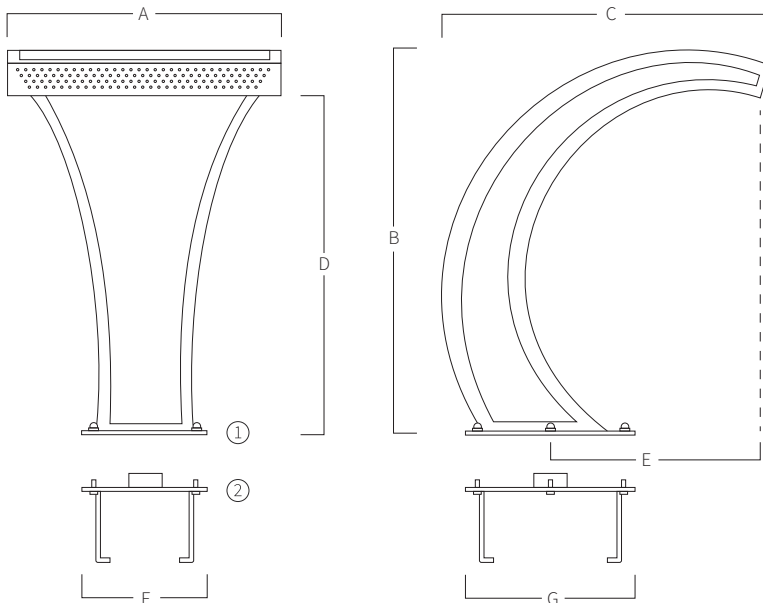
Support Included



Nuts Included (6 units)



Earth Connection



A	B	C	D	E	F	G
300 11,81	650 25,60	600 23,62	520 20,47	400 15,75	180 07,09	260 10,24
500 19,69	700 27,56	600 23,62	620 24,41	400 15,75	230 09,06	310 12,20
700 27,56	800 31,50	765 30,12	690 27,17	520 20,47	255 10,04	340 13,39
1000 39,37	1000 39,37	900 35,43	870 34,25	550 21,65	330 12,99	440 17,32

Measure in mm
Measure in inch

- ① Nuts to fix waterfall.
- ② Support to embed in the ground level.

MOUNTING SYSTEM

- 1) Connect the water intake to the support with 2" female fitting.
- 2) Fix the earth connection to the support.
- 3) Embed the support to get the platen at ground level.
- 4) Fix the waterfall with the nuts.
 - a) Impulsion tube 2" (Ø63mm).
 - b) Self-priming pump:
 - 106A (300) 1hp - 17,3m³/h (Ref. AQA-B17).
 - 106A (500) 1,5hp - 21,5m³/h (Ref. AQA-B21).
 - 106A (700) 2hp - 26,6m³/h (Ref. AQA-B26).
 - 106A (1000) 3hp - 38,8m³/h (Ref. AQA-B38).
 - c) Aspiration tube 2" (Ø63mm).

*Pneumatic or electric button to be defined in work.

