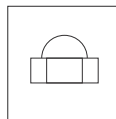


REF. 17

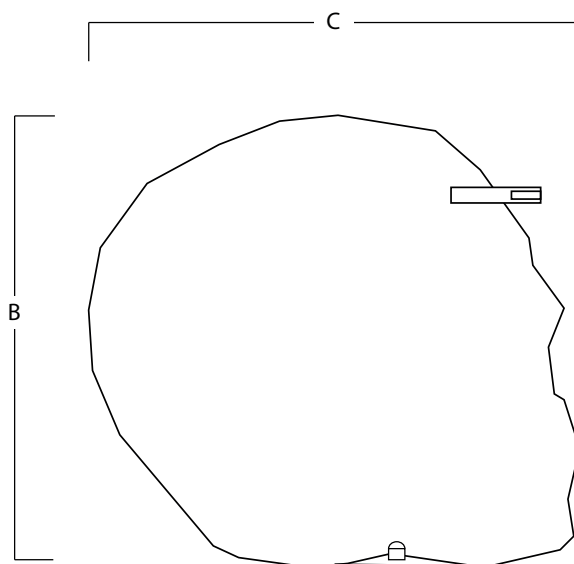
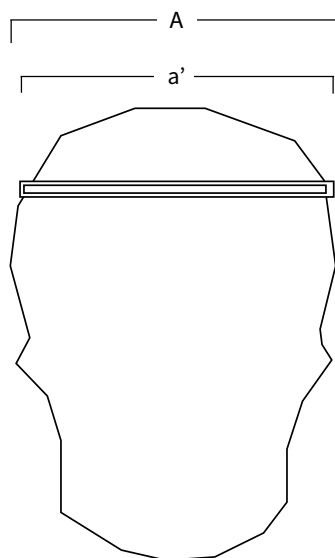
Waterfall in stainless steel AISI 316L
(Marine quality) and fiberglass.



Nuts
Included

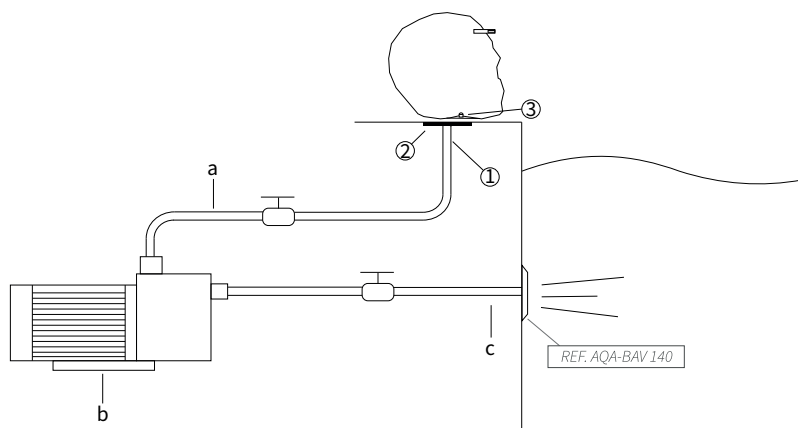


Earth
Connection



A	a'	B	C
400	330	500	580

Measure in mm



MOUNTING SYSTEM

- 1) Connect the water intake to the support with 1 1/2" female fitting.
- 2) Fix the earth connection to the platen.
- 3) Fix the waterfall with de nuts (included).
 - a) Impulsion tube (Ø50mm).
 - b) Self-priming pump:
17: 0,80hp - 10m³/h (Ref.AQA-B10).
 - c) Suction tube 2" (Ø63mm).

*Pneumatic or electric button to be defined in work.