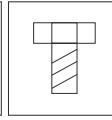


REF.9

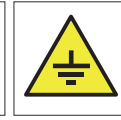
Waterfall in stainless steel AISI 316L (Marine quality). Polished finish.



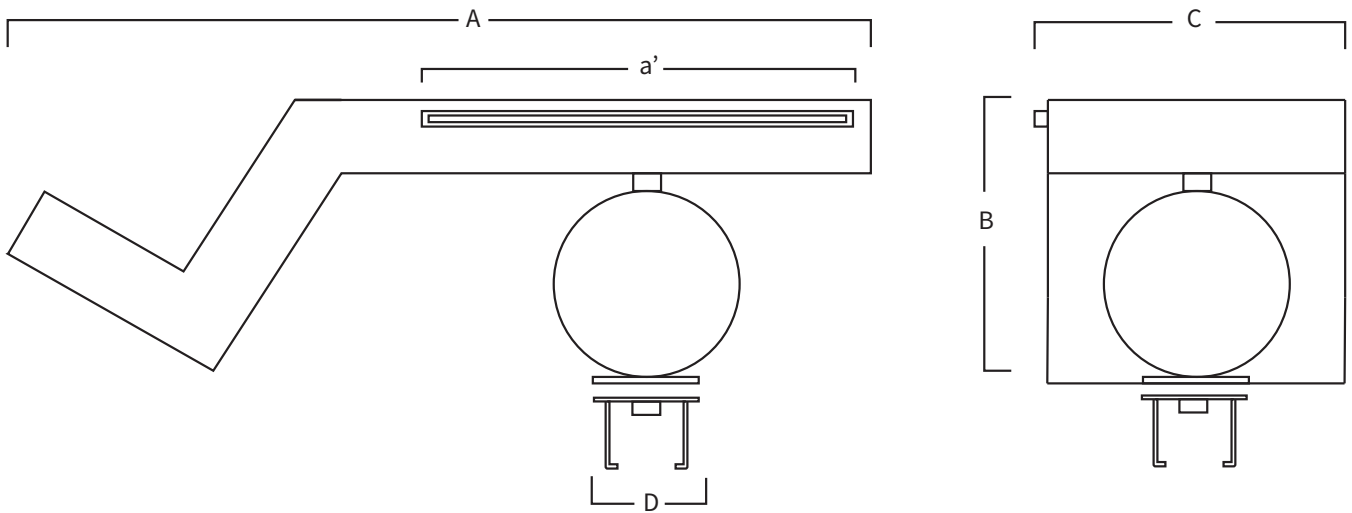
Support Included



Screws Included

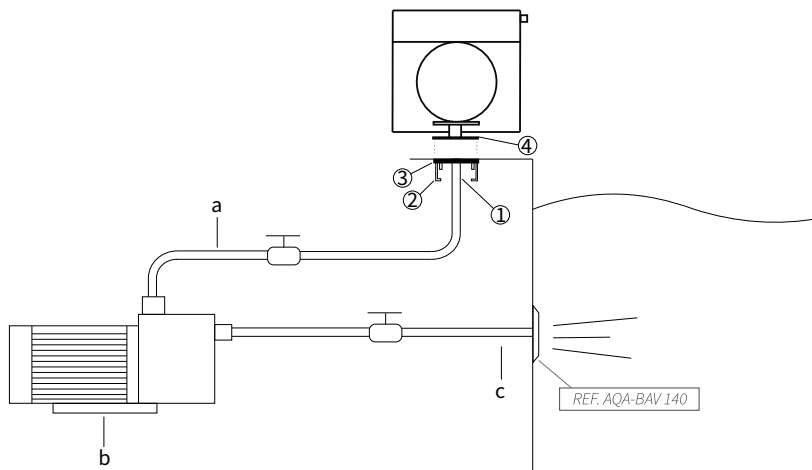


Earth Connection



| A | a' | B | C | D |
|------|-----|-----|-----|------|
| 1030 | 500 | 385 | 360 | Ø180 |

Measure in mm



MOUNTING SYSTEM

- 1) Connect the water intake to the support with 1 1/2" female fitting.
 - 2) Fix the earth connection to the support.
 - 3) Embed the support to get the platen at ground level.
 - 4) Put the gaskets and fix the structure with screws (included).
- a) Impulsion tube (Ø50mm).
 b) Self-priming pump:
 9: 1,5hp - 21,5m³/h (Ref. AQA-B21).
 c) Suction tube 2" (Ø63mm).

*Pneumatic or electric button to be defined in work.