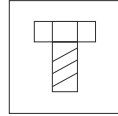




REF. E-2

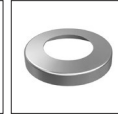
Ladder in stainless steel AISI 316L
(Marine quality). Polish finish.



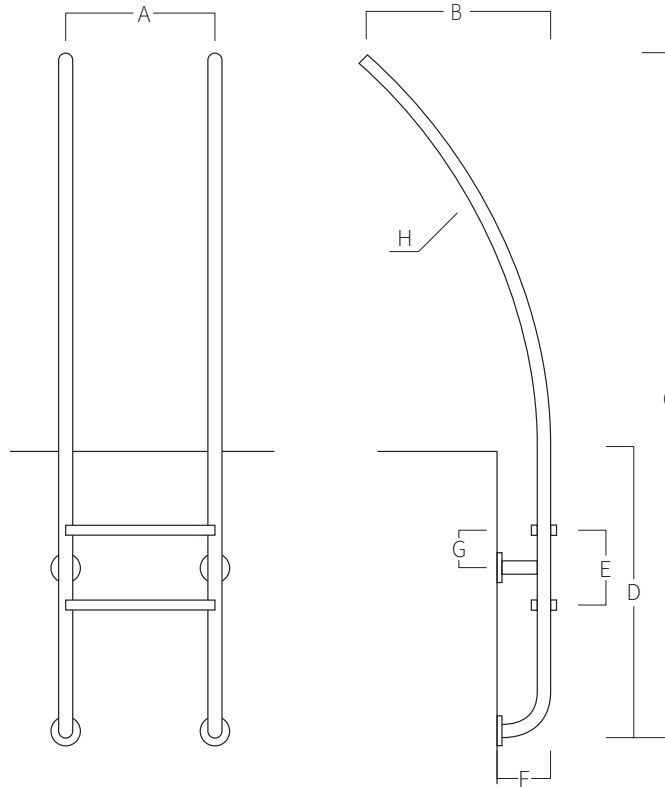
Screws
included



Earth
Connection



Trims
included



| | A | B | C | D | E | F | G | H |
|---|--------------|--------------|----------------|---------------|--------------|--------------|--------------|------------------------|
| 2 | 500 19,69 | 600 23,62 | 2294 90,32 | 710 27,95 | 250 09,84 | 180 07,09 | 125 04,92 | Ø43x1,5 Ø01,69x0,06 |
| 3 | 500 19,69 | 600 23,62 | 2294 90,32 | 960 37,80 | 250 09,84 | 180 07,09 | 125 04,92 | Ø43x1,5 Ø01,69x0,06 |
| 4 | 500 19,69 | 600 23,62 | 2544 100,16 | 1210 47,64 | 250 09,84 | 180 07,09 | 125 04,92 | Ø43x1,5 Ø01,69x0,06 |

Measure in mm
Measure in inch

MOUNTING SYSTEM

- 1) Fix the ladder with screws.
- 2) Fix the earth connection.

*Trims included.