

NARVI

Narvi Infrared Narvi Infrarotstrahler 300/500/750 W



INSTALLATION AND INSTRUCTION MANUAL	EN
INSTALLATIONS- UND BETRIEBSANLEITUNG	DE



Contents

1. Important information about these instructions	4
2. Important safety information	5
2.1. Safety instructions for the installer	6
2.2. Safety instructions for the user	8
3. Product description	10
3.1. Scope of supply	10
3.2. Product functions	10
4. Installation	11
4.1. Cut-outs in the cabin wall	11
4.2. Safety distances	12
4.3. Installing the heater	15
4.4. Electrical connection	19
4.5. Removing the counter-reflector	19
5. Troubleshooting	20
6. Start-up	21
6.1. Before initial use	21
6.2. Infrared heater as “back heater”	21
6.3. Infrared heater as “front heater”	21
7. Cleaning	21
8. Disposal	21
9. Technical data	22
9.1. Infrared heater irl-350	22
9.2. Infrared heater irl-500	22
9.3. Infrared heater irl-750	22

1. Important information about these instructions

Please read these instructions carefully before installation and start-up. Afterwards, store these instructions near the infrared or sauna cabin to ensure constant access to important information.

Warnings and signal words in these instructions

Specially marked warnings indicate activities that may pose a danger. Please pay attention to these warnings to avoid property damage and injuries, which may even be fatal in a worst-case scenario.

The signal words used have the following meaning:



ATTENTION

This signal word warns of property damage, there is no risk of injury.



CAUTION

Injuries are possible if this information is not followed.



WARNING

Serious or fatal injuries are possible if this information is not followed.



DANGER

Serious or fatal injuries are highly likely if this information is not followed.

Further information in these instructions/on this product



This symbol indicates notes and tips.



Warning: Do not cover.



Read the instructions for use.

2. Important safety information

NARVI infrared heaters are manufactured in accordance with the applicable standards and the generally accepted rules of engineering. Despite this, dangers may still arise, so make sure that you observe the safety instructions included in each section. These are marked by the described signal words.

Intended use

NARVI infrared heaters are exclusively intended for wall mounting in infrared and sauna cabins.

Infrared heaters may only be used for heating infrared and sauna cabins. Although the heaters have an installed safety temperature limiter, only infrared or sauna control units that comply with standard EN 60335-1 and EN 60335-2-53 may be used for operation.

Any use other than the described use of the infrared heater is considered improper use. This may lead to product damage, serious injuries or death.

EN

2.1. Safety instructions for the installer

- Only an electrician or similarly qualified person may carry out the installation.
- Work on the infrared heater may only be carried out when it is disconnected from the power supply.
- The instructions provided by the cabin manufacturer must also be followed when installing the infrared heater.
- Compliance with the safety distances to flammable objects must be ensured.
- The enclosed plugs must be used. However, if the infrared heater is connected without plugs, an all-pole disconnecting device with full shut-down in line with overvoltage category III must be used.
- Also note the instructions provided by the infrared or sauna control unit manufacturer. In particular, the maximum connected power ratings of the control unit must not be exceeded.
- A “Do not cover” warning must be attached on or in the immediate vicinity of the infrared heater.



- The infrared heater must be secured against unintentional contact (e.g. protective grille).
- The infrared heater may only be operated with an approved control unit.
- When using a control unit that permits a remote start, the cabin must be inspected before activating the “Stand-by for remote start”.

- In case of installation in public saunas or infrared cabins, a control lamp, which indicates whether the infrared heater is switched on, must be provided in the supervisor's room.
- The maximum permissible infrared radiation in a cabin, as defined by EN 60335-2-53, must not be exceeded. As a result, before installation, use Annex "BB" of the standard to check this requirement and take this into account when selecting the heater power as well as the number of heaters. Or ask your cabin manufacturer.
- If the infrared emitter is faulty or broken, it may only be replaced with the identical NARVI emitter model.
- If you have questions that are not adequately covered in the installation instructions, contact your supplier.

2.2. Safety instructions for the user

- The infrared heater must not be used by children under the age of 8.
- The infrared heater may only be used by children over the age of 8, by persons with reduced sensory or mental capacities and by persons with a lack of experience and knowledge under the following conditions: if they are supervised or if they have been shown how to use the infrared heater safely and they understand the dangers that can arise.
- Children must not play with the device.
- Children under 14 years of age may only clean the infrared heater under supervision.
- For health reasons, do not use the infrared heater if you are under the influence of alcohol, medications or drugs.
- Before start-up, make sure that the infrared heater is not covered (risk of fire)!
- We recommend avoiding infrared radiation within 24 hours of UV radiation from an artificial source or from sunbathing.
- Persons at risk of overheating (e.g. cardiovascular diseases) should consult their doctor, in case of doubt, before using an infrared or sauna cabin.
- If a permanent erythema (permanent redness of the skin for more than one day) or web-like colour changes remain, the radiation should not be repeated and a doctor should be consulted.
- Before first using the cabin, operate the infrared heater for around 30 minutes and then ventilate well.
- For your own safety, if problems exist, which are not extensively covered in the instructions for use, contact your supplier.

3. Product description

3.1. Scope of supply

- Infrared heater irl-350/irl-500/irl-750, incl. 4 m connection cable and plug (GST18i3, 3-pin)
- Installation material: 6x wood screws 3 x 40 mm
- 1x spare screw for installing the glass
- Sticker with the “Do not cover” warning
- Instructions for installation and use

3.2. Product functions

NARVI infrared heaters are full spectrum heaters that emit infrared radiation types A, B and C. The heaters are intended to heat infrared and sauna cabins. The deep heating effect means that the user will feel a pleasant warmth immediately after start-up.

4. Installation



WARNING

The infrared heater must not be mounted in the cabin ceiling!

4.1. Cut-outs in the cabin wall



WARNING

When positioning the cut-outs, make sure that air can circulate around the infrared heater housing and that the safety distances are met.

The following figure shows the size of the cut-outs for the specific type of heater (dimensions in mm). Please also note the instructions provided by the cabin manufacturer when creating the cut-outs.

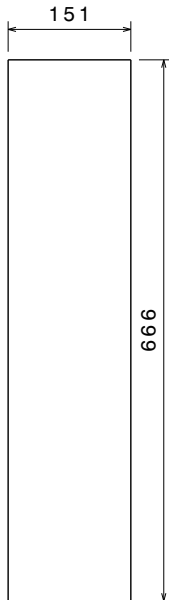


Fig. 1 **Cut-out irl-350**

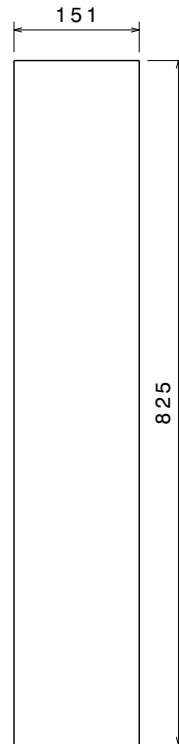


Fig. 2 **Cut-out irl-500 and irl-750**

4.2. Safety distances

The following figures show the safety distances that must be observed when installing the infrared heater.

Safety distances for wall mounting models irl-350 and irl-500

When installing heater irl-350 and irl-500, note the safety distances indicated in Fig. 3. The minimum distance to any flammable wall on the rear of the heater is 15 mm. The minimum distance to a side wall or between multiple heaters mounted next to one another is 150 mm. The minimum distance to a wooden heater cover (must have a min. permeability of 40%) is 50 mm. The minimum distance to a cabin wall opposite the heater is 400 mm. The minimum distance to the cabin ceiling and the cabin floor is 200 mm.

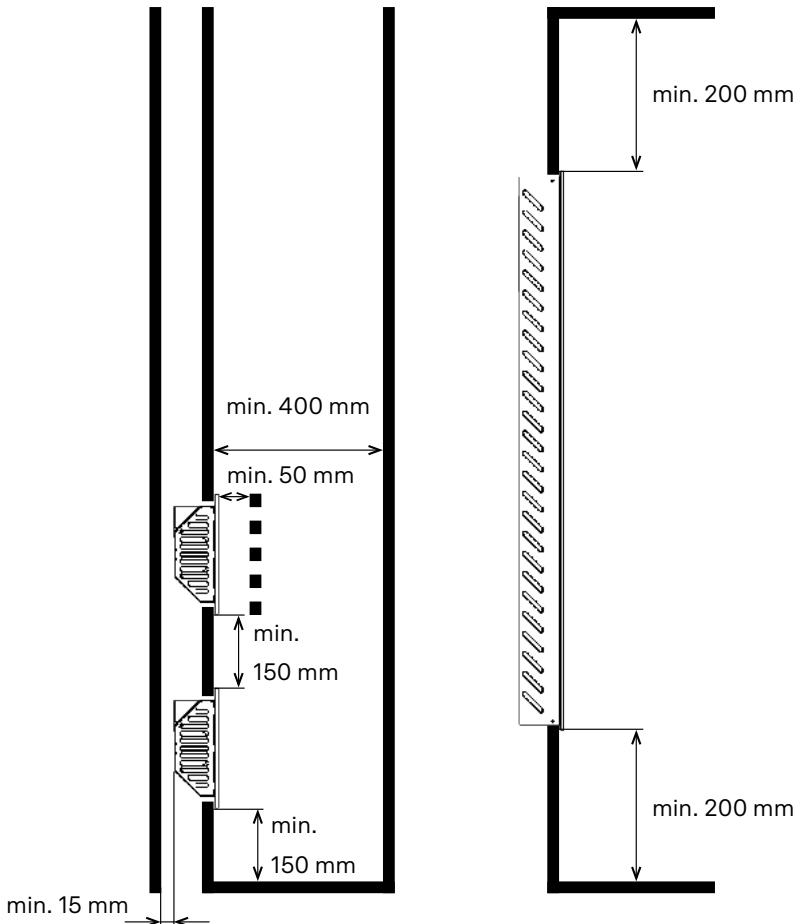


Fig. 3 **Safety distances for irl-350 and irl-500**
Installation instructions for experts

**CAUTION**

In case of installation as a front heater, please note that looking directly into the heater must be avoided. Install the heater so that the user does not look directly into the heater or ensure a distance of at least 70 cm between eyes and the heater.

Safety distances for wall mounting model irl-750

When installing heater irl-750, note the safety distances indicated in Fig. 4. The minimum distance to any flammable wall on the rear of the heater is 150 mm. The minimum distance to a side wall or between multiple heaters mounted next to one another is 150 mm. The minimum distance to a cabin wall opposite the heater is 450 mm. The minimum distance to the cabin ceiling and the cabin floor is 200 mm.

EN**CAUTION**

In case of installation as a front heater, please note that looking directly into the heater must be avoided. Install the heater so that the user does not look directly into the heater or ensure a distance of at least 100 cm between eyes and the heater.

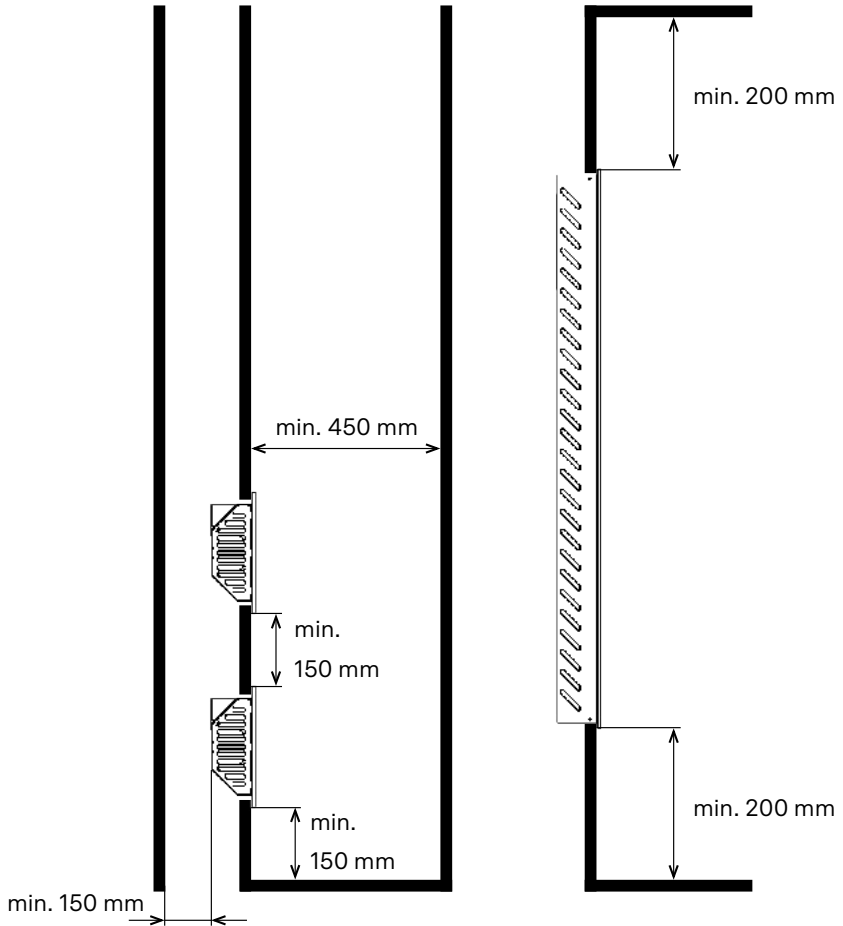


Fig. 4 Safety distances for the iri-750

4.3. Installing the heater



Required tools

- Screwdriver/cordless screwdriver with bit TX10
- Allen key 2 mm
- Saw for the cut-out (e.g. jigsaw)
- Measuring tape
- Pen

1. Plan the positions of the heater in consideration of the safety distances in chapter 4.2.
2. Open the cabin wall, e.g. with a jigsaw, in line with the cut-out dimensions (see 4.1 in these instructions).
3. Remove the infrared heater from the packaging and make sure that no small parts of the packaging remain on the heater.
4. Remove the glass panel. To do so, use an Allen key to carefully unscrew the two screws (top and bottom of the glass panel) and remove the glass panel by carefully tilting the heater (or using a suction cup). See Figure 5.

EN



Counter-reflector

If you want the infrared heater to evenly distribute the infrared radiation, leave the pre-fitted reflector in the device.

If you want more infrared radiation in the centre of the heater, remove the counter-reflector. To do so, note the instructions in chapter 4.5.

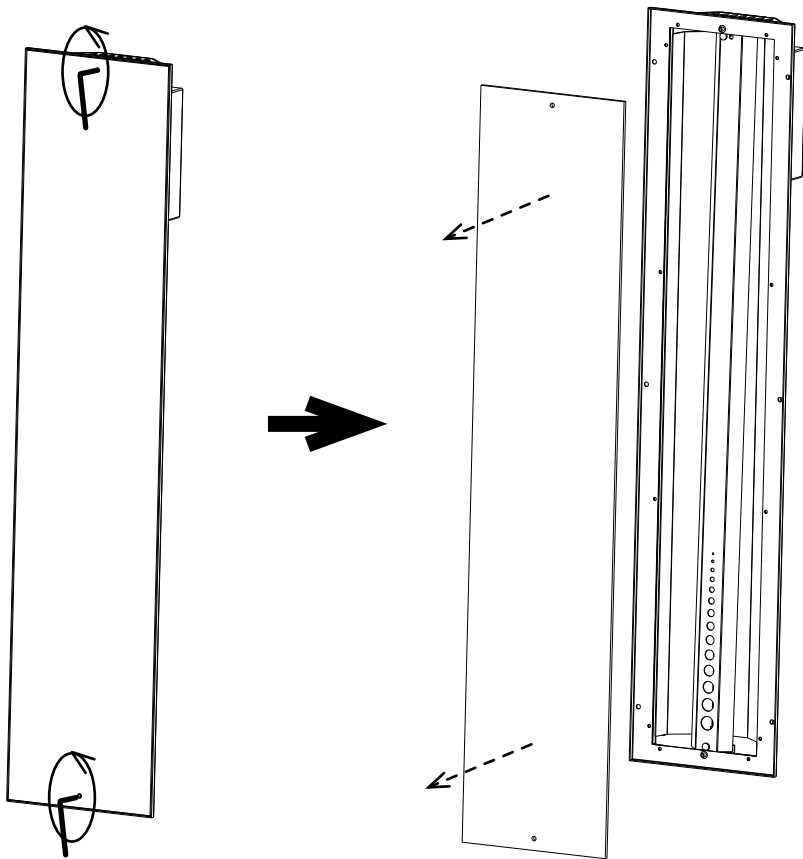


Fig. 5 **Removing the glass panel**

5. Remove the counter-reflector, where applicable.
6. Thread the heater's connection cable through the opening in the cabin wall.
7. Position the heater centrally in the cut-out. Make sure that the distance to the wall is the same all around the heater.

**WARNING**

NARVI infrared heaters have an installed safety temperature limiter. This must be located at the top when the heater is mounted on the wall.

Pay attention to the installation orientation of the heater! The terminal box with the cable must be located at the top. See Figure 6.

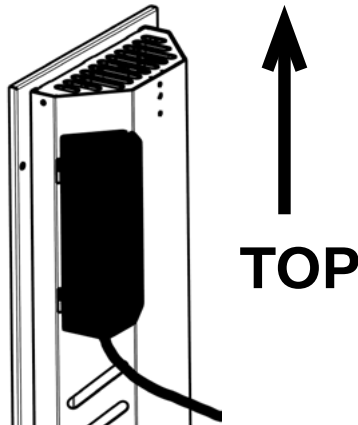
**EN**

Fig. 6 **Correct installation of the heater**

8. Screw the infrared heater tight to the cabin wall using the wood screws (3 x 40 mm) provided. See Figure 7.
9. Reposition the infrared heater's glass panel and screw tight, applying max. 0.2 Nm of torque.

**WARNING**

Tighten the screws to fasten the glass panel to max. 0.2 Nm. Otherwise, the glass panel may be damaged.

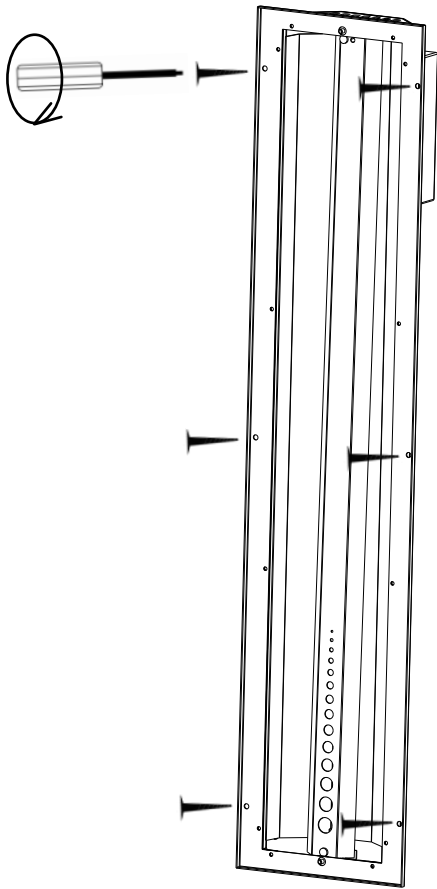


Fig.7 **Position of the screws**

4.4. Electrical connection

NARVI infrared heaters are supplied with a pre-assembled connection cable. As a result, the plug (GST18i3) merely needs to be connected to your infrared or sauna control unit.



CAUTION

Note the instructions for use of your infrared or sauna control unit.

4.5. Removing the counter-reflector

1. Remove the glass panel as described on page 15 and 16.
2. Remove the two screws (M4 x 55 mm) on the reflector with a Phillips screwdriver. See Figure 8.
3. Remove the counter-reflector.
4. Reposition the infrared heater's glass panel and retighten the screws to max. 0.2 Nm.

EN

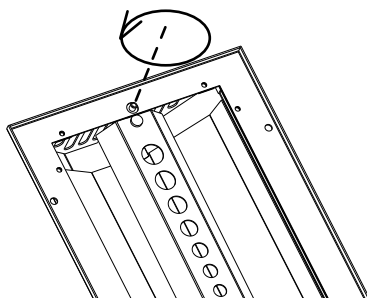


Fig. 8 Removing the screws on the counter-reflector (2x)

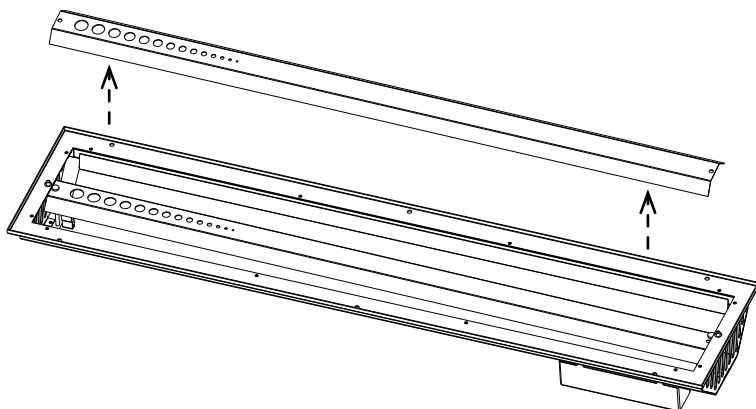


Fig. 9 Removing the reflector
Installation instructions for experts

5. Troubleshooting

Description of error	Solution
The infrared heater is not illuminated or is not heating.	<p>Check whether the plug is correctly connected to the control unit.</p> <p>Check whether the control unit is working correctly. If necessary, contact the control unit manufacturer.</p> <p>In rare cases, the cause may be a faulty infrared emitter.</p>
The infrared heater constantly switches off during operation.	<p>Check whether an adequate volume of air can circulate on the rear of the radiator.</p> <p>If the ventilation is adequate, the safety temperature limiter (STL) may be faulty. In this case, contact your retailer.</p>
Insufficient heat is emitted.	<p>Check the set dimming level on your control unit.</p> <p>If the heat is constantly too low, remove the counter reflector as described in 4.5.</p>
The heating effect or light distribution is too uneven for your preferences.	Fit the counter-reflector.

6. Start-up

6.1. Before initial use

Before first using the cabin, operate the infrared heater for around 30 minutes and then ventilate well.

6.2. Infrared heater as “back heater”

If you are using the infrared heater for the back, a protective measure, such as a suitable backrest, must be used to prevent unintentional contact.



CAUTION

Ensure a minimum distance of 40 mm between the surface of the skin and the infrared heater.

6.3. Infrared heater as “front heater”

When used as a front heater, make sure that you do not permanently stare into the heater.



CAUTION

Do not stare into the heater for an extended period of time.

7. Cleaning

Clean the front of the infrared heater with a soft cloth and warm water as necessary.

Do not clean using steam cleaners, high-pressure cleaners or spraying water.

8. Disposal



The packaging materials must be disposed of in accordance with the applicable guidelines.

Old devices contain recyclable materials as well as harmful substances so do not dispose of these as residual waste; ensure compliance with the applicable regulations.

9. Technical data

9.1. Infrared heater irl-350

Power:	350 W
Voltage:	230 V AC
Dimensions (W x H x D):	180 x 677 x 66.5 mm
Required cut-out (W x H):	151 x 666 mm
Storage temperature:	- 25 °C to + 70 °C
Ambient temperature:	- 10 °C to + 110 °C
Humidity:	max. 95%
Protection category:	IPX4

9.2. Infrared heater irl-500

Power:	500 W
Voltage:	230 V AC
Dimensions (W x H x D):	180 x 836 x 66.5 mm
Required cut-out (W x H):	151 x 825 mm
Storage temperature:	- 25 °C to + 70 °C
Ambient temperature:	- 10 °C to + 110 °C
Humidity:	max. 95%
Protection category:	IPX4

9.3. Infrared heater irl-750

Power:	750 W
Voltage:	230 V AC
Dimensions (W x H x D):	180 x 836 x 66.5 mm
Required cut-out (W x H):	151 x 825 mm
Storage temperature:	- 25 °C to + 70 °C
Ambient temperature:	- 10 °C to + 110 °C
Humidity:	max. 95%
Protection category:	IPX4



NARVI

Narvi Infrarotstrahler 300/500/750 W



INSTALLATIONS- UND BETRIEBSANLEITUNG

DE



V 052024

Inhalt

1. Wichtige Informationen zu dieser Anleitung	4
2. Wichtige Hinweise zu Ihrer Sicherheit	5
2.1. Sicherheitshinweise für den Monteur	6
2.2. Sicherheitshinweise für den Anwender	8
3. Produktbeschreibung	10
3.1. Lieferumfang	10
3.2. Produktfunktionen	10
4. Montage	11
4.1. Ausschnitte in der Kabinenwand	11
4.2. Sicherheitsabstände	12
4.3. Einbau des Strahlers	15
4.4. Elektrischer Anschluss	19
4.5. Abnehmen des Konterreflektors	19
5. Problemlösungen	20
6. Inbetriebnahme	21
6.1. Vor der ersten Benützung	21
6.2. Infrarotstrahler als „Rückenstrahler“	21
6.3. Infrarotstrahler als „Frontstrahler“	21
7. Reinigung	21
8. Entsorgung	21
9. Technische Daten	22
9.1. Infrarotstrahler irl-350	22
9.2. Infrarotstrahler irl-500	22
9.3. Infrarotstrahler irl-750	22

1. Wichtige Informationen zu dieser Anleitung

Bitte lesen Sie diese Anleitung vor der Montage und Inbetriebnahme aufmerksam durch. Bewahren Sie die Anleitung anschließend in der Nähe Ihrer Infrarot- bzw. Saunakabine auf, um jederzeit wichtige Informationen nachlesen zu können

Warnhinweise und Signalwörter in dieser Anleitung

Mit besonders gekennzeichneten Warnhinweisen, wird von Tätigkeiten gewarnt von denen Gefahr ausgeht. Bitte beachten Sie diese um Sachschäden und Verletzungen zu vermeiden, welche im schlimmsten Fall sogar tödlich sein könnten.

Die verwendeten Signalwörter haben folgende Bedeutung:



ACHTUNG

Dieses Signalwort warnt vor Sachschäden, es besteht keine Verletzungsgefahr.



VORSICHT

Bei Nichtbeachtung dieses Hinweises sind Verletzungen möglich.



WARNUNG

Bei Nichtbeachtung dieses Hinweises sind schwere oder tödliche Verletzungen möglich.



GEFAHR

Bei nicht Beachtung dieses Hinweises sind schwere oder tödliche Verletzungen sehr wahrscheinlich.

Weitere Hinweise in dieser Anleitung / zu diesem Produkt



Durch dieses Symbol werden Hinweise und Tipps gekennzeichnet.



Warnung: Nicht Abdecken.



Bedienungsanleitung lesen.

2. Wichtige Hinweise zu Ihrer Sicherheit

NARVI Infrarotstrahler sind nach den gültigen Normen und anerkannten Regeln der Technik hergestellt. Trotzdem können Gefahren entstehen. Bitte beachten Sie daher die in den jeweiligen Abschnitten eingefügten Sicherheitshinweise. Diese sind durch die beschriebenen Signalwörter gekennzeichnet.

Bestimmungsgemäßer Gebrauch

NARVI Infrarotstrahler sind ausschließlich für die Wandmontage in Infrarot- und Saunakabinen geeignet.

Infrarotstrahler dürfen nur zur Beheizung von Infrarot- und Saunakabinen verwendet werden. Obwohl die Strahler über einen eingebauten Sicherheitstempereaturbegrenzer verfügen, dürfen zum Betrieb lediglich Infrarot- oder Saunasteuerungen verwendet werden welche der Norm EN 60335-1 und EN 60335-2-53 entsprechen.

Anderer als der beschriebene Gebrauch des Infrarotstrahlers gilt als nicht bestimmungsgemäßer Gebrauch. Dieser kann zur Beschädigung des Produkts, zu schweren Verletzungen oder Tod führen.

DE

2.1. Sicherheitshinweise für den Monteur

- Die Montage darf nur durch eine Elektrofachkraft oder eine vergleichsweise qualifizierte Person ausgeführt werden.
- Arbeiten am Infrarotstrahler dürfen nur im spannungsfreien Zustand durchgeführt werden.
- Beim Einbau des Infrarotstrahlers sind auch die Hinweise des Kabinenherstellers zu beachten.
- Die Sicherheitsabstände zu brennbaren Gegenständen sind unbedingt einzuhalten.
- Die mitgelieferten Anschlussstecker sind zu verwenden. Sollte der Infrarotstrahler dennoch ohne Stecker angeschlossen werden, ist eine allpolige Trennvorrichtung mit voller Abschaltung entsprechend der Überspannungskategorie III vorzusehen.
- Beachten Sie auch die Anleitung des Herstellers der Infrarot- bzw. Saunasteuerung. Insbesondere die maximalen Anschlussleistungen der Steuerung dürfen nicht überschritten werden.
- Ein Warnhinweis „nicht Abdecken“ ist am oder in unmittelbarer Nähe zum Infrarotstrahler anzubringen.



- Der Infrarotstrahler ist gegen unbeabsichtigtes Berühren zu sichern (z.B. Schutzgitter).
- Der Infrarotstrahler darf nur mit einer dafür zulässigen Steuerung betrieben werden.
- Bei der Verwendung einer Steuerung welche einen Fernstart erlaubt, ist die Kabine vor der Durchführung der Aktivierung „Stand-by für Fernstart“ zu besichtigen.

- Bei der Montage in öffentlichen Saunen oder Infrarotkabinen, ist im Raum der Aufsichtsperson eine Kontrolllampe vorzusehen, welche anzeigt ob der Infrarotstrahler eingeschaltet ist.
- Die laut EN 60335-2-53 maximal zulässige Infrarotstrahlung in einer Kabine darf nicht überschritten werden. Daher ist dies vor der Montage Anhand des Anhangs „BB“ der Norm zu überprüfen und bei der Wahl der Strahlerleistung sowie Strahleranzahl entsprechend zu berücksichtigen. Oder fragen Sie dazu Ihren Kabinenhersteller.
- Bei einem defekten bzw. gebrochenen Infrarot-Emitter, darf dieser nur mit dem identischen Emittermodell von NARVI ersetzt werden.
- Bei Fragen die in der Montageanleitung nicht ausreichend behandelt werden, halten Sie Rücksprache mit Ihrem Lieferanten.

DE

2.2. Sicherheitshinweise für den Anwender

- Der Infrarotstrahler darf nicht von Kindern unter 8 Jahren verwendet werden.
- Der Infrarotstrahler darf von Kindern über 8 Jahren, von Personen mit verringerten psychischen, sensorischen oder mentalen Fähigkeiten und von Personen mit Mangel an Erfahrung und Wissen nur unter folgenden Bedingungen verwendet werden: wenn sie beaufsichtigt werden oder wenn ihnen die sichere Verwendung gezeigt wurde und sie die Gefahren, die entstehen können, verstehen.
- Kinder dürfen nicht mit dem Gerät spielen.
- Kinder unter 14 Jahren dürfen den Infrarotstrahler nur reinigen, wenn sie beaufsichtigt werden.
- Wenn Sie unter dem Einfluss von Alkohol, Medikamenten oder Drogen stehen, verzichten Sie aus gesundheitlichen Gründen auf die Benützung.
- Kontrollieren Sie vor der Inbetriebnahme das der/die Infrarotstrahler nicht abgedeckt sind (Brandgefahr)!
- Es wird empfohlen, dass eine Infrarotbestrahlung innerhalb von 24 h nach einer UV-Bestrahlung durch eine künstliche Quelle oder durch ein Sonnenbad nicht durchgeführt wird.
- Personen bei denen das Risiko einer Überhitzung besteht (z.B. Herz-Kreislauf-Erkrankungen) sollten im Zweifelsfall vor der Benützung einer Infrarot- oder Saunakabine einen Arzt befragen.
- Falls ein andauerndes Erythem (bleibende Rötung der Haut für mehr als einen Tag) oder netzartige Farbveränderungen bestehen bleiben, sollte die Bestrahlung nicht wiederholt und ein Arzt befragt werden.
- Nehmen Sie vor der ersten Benützung der Kabine die Infrarotstrahler für ca. 30 min in Betrieb und lüften Sie anschließend gut durch.
- Bei Problemen, die in der Gebrauchsanleitung nicht ausführlich genug behandelt werden, wenden Sie sich zu Ihrer eigenen Sicherheit an Ihren Lieferanten.

3. Produktbeschreibung

3.1. Lieferumfang

- Infrarotstrahler irl-350 / irl-500 / irl-750 inkl. 4 m Anschlussleitung und Stecker (GST18i3, 3-polig)
- Montagematerial: 6 Stück Holzschrauben 3 x 40 mm
- 1 Stück Ersatzschraube für die Montage des Glases
- Aufkleber mit dem Warnhinweis „nicht abdecken“
- Montage- und Gebrauchsanleitung

3.2. Produktfunktionen

NARVI Infrarotstrahler sind Vollspektrumstrahler welche die Infrarotanteile A, B und C emittieren. Die Strahler dienen der Beheizung von Infrarot- und Saunakabinen. Durch die Wirkung der Tiefenwärme verspürt der Nutzer unmittelbar nach der Inbetriebnahme eine angenehme Wärme.

4. Montage



WARNUNG

Der Infrarotstrahler darf nicht in der Kabinendecke montiert werden!

4.1. Ausschnitte in der Kabinenwand



WARNUNG

Achten Sie bei der Positionierung der Ausschnitte darauf, dass im Bereich der Infrarotstrahler-Gehäuse Luft zirkulieren kann und die Sicherheitsabstände eingehalten werden.

Folgende Abbildung zeigt die Größe der Ausschnitte für den jeweiligen Strahlertyp (Maße in mm). Beachten Sie bei der Erstellung der Ausschnitte auch die Anweisungen des Kabinenherstellers.

DE

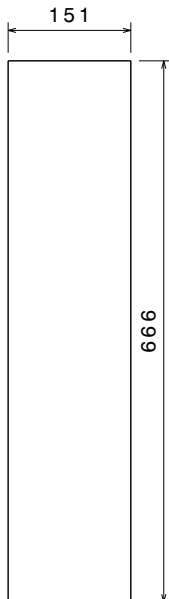


Abb. 1 **Ausschnitt irl-350**

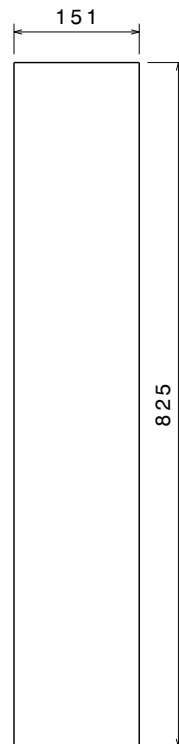


Abb. **Ausschnitt irl-500 und irl-750**

4.2. Sicherheitsabstände

Folgende Abbildungen zeigen die Sicherheitsabstände, welche beim Einbau des Infrarotstrahlers zwingend zu beachten sind.

Sicherheitsabstände bei Wandmontage der Modelle irl-350 und irl-500

Beachten Sie beim Einbau der Strahler irl-350 sowie irl-500 die Sicherheitsabstände in Abb. 3. Der Mindestabstand zu einer ev. vorhandenen brennbaren Wand auf der Rückseite des Strahlers beträgt 15 mm. Der Mindestabstand zu einer seitlichen Wand bzw. zwischen mehreren nebeneinander montierten Strahlern beträgt 150 mm. Der kleinste Abstand zu einer Strahler Abdeckung aus Holz (diese muss min. 40 % Durchlässigkeit aufweisen) beträgt 50 mm. Der Mindestabstand zu einer, dem Strahler gegenüber befindlichen Kabinenwand, beträgt 400 mm. Die kleinsten Abstände zur Kabinendecke bzw. zum Kabinenboden betragen 200 mm.

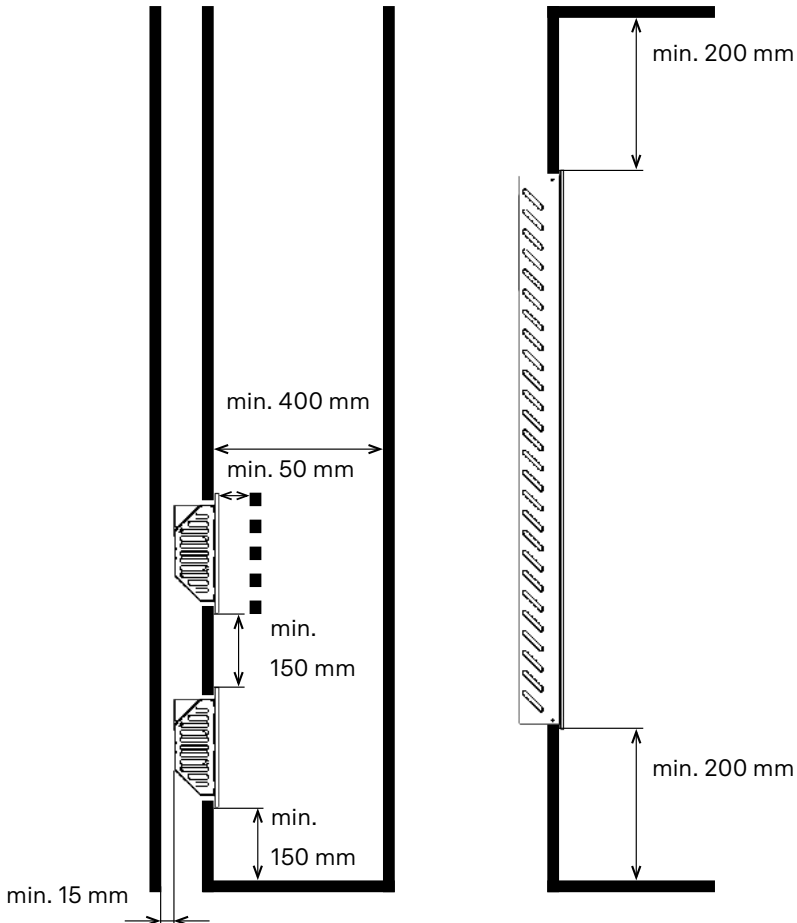


Abb. 3 **Sicherheitsabstände irl-350 und irl-500**
Montageanleitung für Fachpersonal



VORSICHT

Beachten Sie bei der Montage als Frontstrahler, dass der direkte Blick in den Strahler zu vermeiden ist. Montieren Sie den Strahler so, dass der Nutzer nicht direkt in den Strahler blickt oder halten Sie einen Abstand von min 70 cm zwischen Augen und Strahler ein.

Sicherheitsabstände bei Wandmontage des Modells irl-750

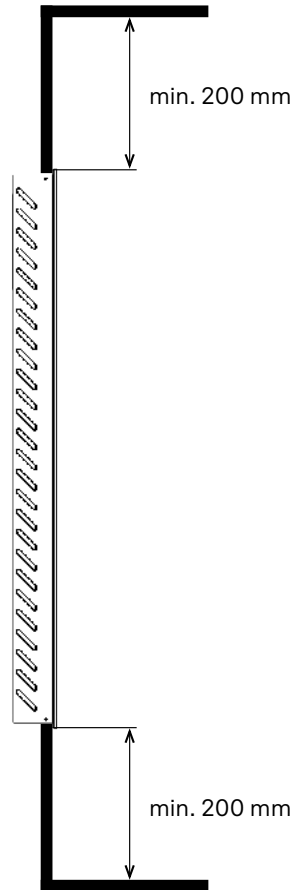
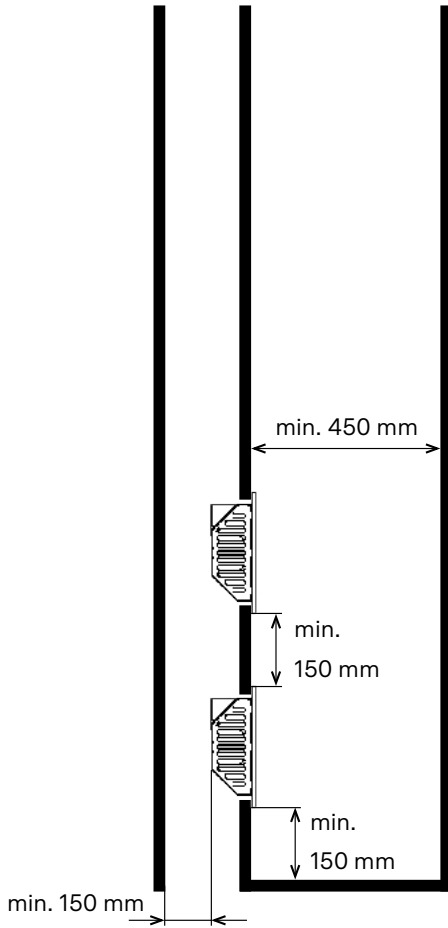
Beachten Sie beim Einbau des Strahlers irl-750 die Sicherheitsabstände in Abb. 4. Der Mindestabstand zu einer ev. vorhanden brennbaren Wand auf der Rückseite des Strahlers beträgt 150 mm. Der Mindestabstand zu einer seitlichen Wand bzw. zwischen mehreren nebeneinander montierten Strahlern beträgt 150 mm. Der Mindestabstand zu einer, dem Strahler gegenüber befindlichen Kabinenwand, beträgt 450 mm. Die kleinsten Abstände zur Kabinendecke bzw. zum Kabinenboden betragen 200 mm.

DE



VORSICHT

Beachten Sie bei der Montage als Frontstrahler, dass der direkte Blick in den Strahler zu vermeiden ist. Montieren Sie den Strahler so, dass der Nutzer nicht direkt in den Strahler blickt oder halten Sie einen Abstand von min 100 cm zwischen Augen und Strahler ein.



4.3. Einbau des Strahlers



Benötigtes Werkzeug

- Schraubendreher / Akkuschrauber mit Bit TX10
- Innensechskantschlüssel 2 mm
- Säge für den Ausschnitt (z.B. Stichsäge)
- Maßband
- Stift

1. Planen Sie die Positionen der Strahler unter Berücksichtigung der Sicherheitsabstände in Kapitel 4.2.
2. Öffnen Sie entsprechend den Ausschnittmaßen (siehe 4.1 in dieser Anleitung) die Kabinenwand mit z.B. einer Stichsäge.
3. Nehmen Sie den Infrarotstrahler aus der Verpackung und achten Sie darauf dass keine Teile der Verpackung am Strahler verbleiben.
4. Nehmen Sie die Glasscheibe ab. Drehen Sie dazu die beiden Schrauben (oben und unten an der Glasscheibe) vorsichtig mit einem Innensechskantschlüssel heraus und entnehmen durch vorsichtiges kippen des Strahlers (oder mithilfe eines Saugnapfes) die Glasscheibe. Siehe Abbildung 5.

DE



Konterreflektor

Wenn Sie beim Infrarotstrahler eine möglichst gleichmäßige Verteilung der Infrarotstrahlung wünschen, lassen Sie den vormontierten Reflektor im Gerät.

Legen Sie eher Wert auf mehr Infrarotstrahlung im Zentrum des Strahlers, dann entnehmen Sie den Konterreflektor. Beachten Sie dazu die Hinweise in Kapitel 4.5.

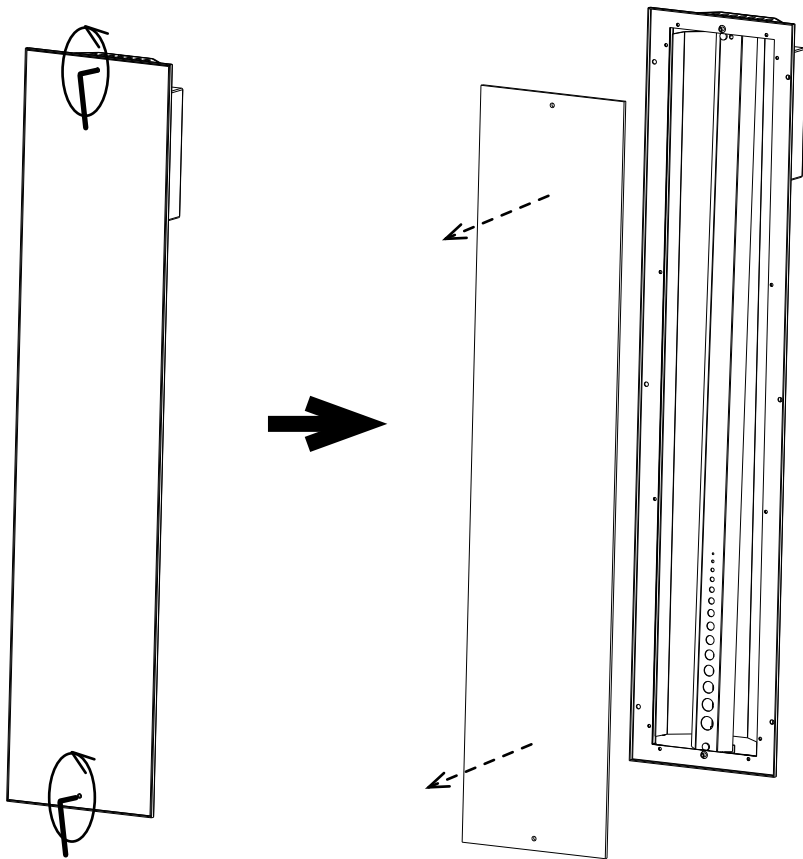


Abb. 5 **Abnehmen der Glasscheibe**

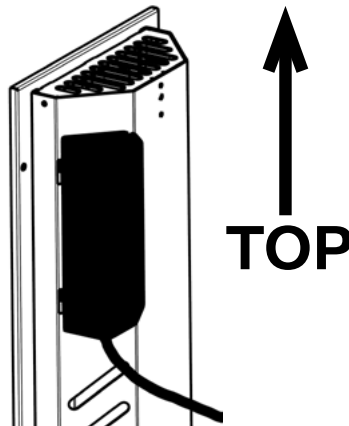
5. Entfernen Sie ggf. den Konterreflektor.
6. Fädeln Sie das Anschlusskabel des Strahlers durch die Öffnung in der Kabinenwand.



WARNUNG

NARVI Infrarotstrahler haben einen eingebauten Sicherheitstemperaturbegrenzer. Bei der Wandmontage muss sich dieser an der Oberseite befinden.

Beachten Sie daher die Einbaurichtung des Strahlers! Der Anschlusskasten mit der Leitung muss oben sein. Siehe Abbildung 6.



DE

Abb. 6 **Korrektter Einbau des Strahlers**

7. Positionieren Sie den Strahler mittig im Ausschnitt. Achten Sie darauf dass rund um den Strahler der Abstand zur Wand gleichmäßig ist.
8. Schrauben Sie den Infrarotstrahler mit den beiliegenden Holzschrauben (3 x 40 mm) an der Kabinenwand fest. Siehe Abbildung 7.
9. Setzen Sie die Glasscheibe des Infrarotstrahlers wieder ein und schrauben Sie diese mit max. 0,2 Nm fest.



WARNUNG

Schrauben Sie die Schrauben zur Befestigung der Glasscheibe mit max. 0,2 Nm fest. Da andernfalls die Glasscheibe beschädigt werden kann.

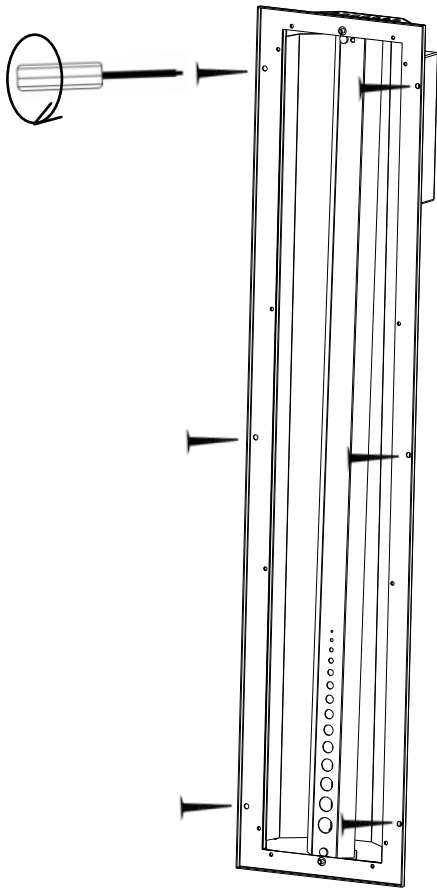


Abb. 7 **Position der Schrauben**

4.4. Elektrischer Anschluss

NARVI Infrarotstrahler werden mit einer vorkonfektionierten Anschlussleitung ausgeliefert. Folglich muss lediglich der Stecker (GST18i3) mit Ihrer Infrarot- oder Saunasteuerung verbunden werden.



VORSICHT

Beachten Sie die Bedienungsanleitung Ihrer Infrarot- oder Saunasteuerung.

4.5. Abnehmen des Konterreflektors

1. Nehmen Sie die Glasscheibe wie auf Seite 15 u. 16 beschrieben ab.
2. Entfernen Sie die beiden Schrauben (M4 x 55 mm) des Reflektors mit einem Kreuzschlitzschraubendreher. Siehe Abbildung 8.
3. Entnehmen Sie den Konterreflektor.
4. Setzen Sie die Glasscheibe des Infrarotstrahlers wieder ein und schrauben Sie diese mit max. 0,2 Nm wieder fest.

DE

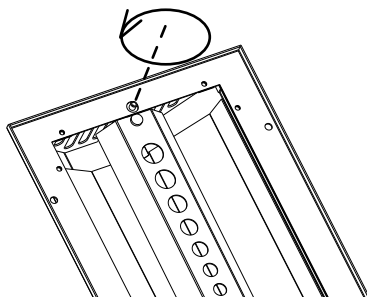


Abb. 8 Schrauben des Konterreflektors entfernen (2 x)

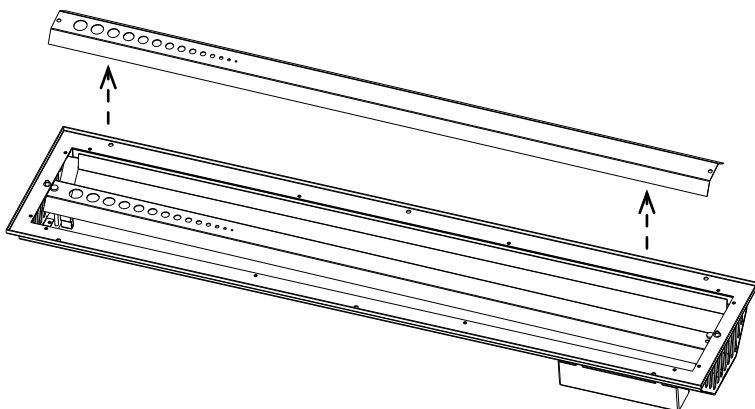


Abb. 9 Abnehmen des Reflektors

Montageanleitung für Fachpersonal

5. Problemlösungen

Fehlerbeschreibung	Lösung
Der Infrarotstrahler leuchtet bzw. heizt nicht.	<p>Überprüfen Sie ob der Stecker korrekt mit der Steuereinheit verbunden ist.</p> <p>Überprüfen Sie ob die Steuerung korrekt funktioniert. Wenden Sie sich falls notwendig an den Hersteller der Steuerung.</p> <p>In selten Fällen kann ein defekter Infrarot Emitter die Ursache sein.</p>
Der Infrarotstrahler schaltet sich im Betrieb immer wieder aus.	<p>Überprüfen Sie ob ausreichend Luft an der Rückseite des Strahlers zirkulieren kann.</p> <p>Sollte die Belüftung ausreichend sein, kann ein Defekt des Sicherheitstemperaturbegrenzers (ST B) vorliegen. Wenden Sie sich dann an Ihrer Verkäufer.</p>
Die abgegebene Wärme reicht Ihnen nicht aus.	<p>Überprüfen Sie die eingestellte Dimmstufe auf Ihrer Steuerung.</p> <p>Sollte Ihnen die Wärme dauerhaft zu niedrig sein, nehmen Sie wie in 4.5 beschrieben den Konterreflektor ab.</p>
Die Wärmewirkung bzw. Lichtverteilung ist Ihnen zu ungleichmäßig.	Montieren Sie den Konterreflektor.

6. Inbetriebnahme

6.1. Vor der ersten Benützung

Nehmen Sie vor der ersten Benützung der Kabine, die Infrarotstrahler für ca. 30 min in Betrieb und lüften Sie anschließend gut durch.

6.2. Infrarotstrahler als „Rückenstrahler“

Wenn Sie den Infrarotstrahler für den Bereich des Rückens benützen, muss durch eine Schutzmaßnahme wie z.B. eine geeignete Rückenlehne das unbeabsichtigte Berühren vermieden werden.



VORSICHT

Achten Sie auf einen Mindestabstand zwischen Hautoberfläche und Infrarotstrahler von 40 mm.

DE

6.3. Infrarotstrahler als „Frontstrahler“

Beim Einsatz als Frontstrahler achten Sie darauf, nicht dauerhaft in den Strahler zu blicken.



VORSICHT

Nicht für längere Zeit direkt in den Strahler blicken.

7. Reinigung

Reinigen Sie bei Bedarf die Vorderseite des Infrarotstrahlers mit einem weichen Tuch und warmen Wasser.

Die Reinigung mit Dampfreinigern, Hochdruckreinigern und Spritzwasser ist nicht zulässig.

8. Entsorgung



Die Verpackungsmaterialien sind nach den gültigen Richtlinien zu entsorgen.

Altgeräte enthalten wiederverwertbare als auch schädliche Stoffe, entsorgen Sie diese daher nicht im Restmüll sondern nach den geltenden Vorschriften.

9. Technische Daten

9.1. Infrarotstrahler irl-350

Leistung:	350 W
Spannung:	230 V AC
Abmessungen (B x H x T):	180 x 677 x 66,5 mm
erforderlicher Ausschnitt (B x H):	151 x 666 mm
Lagertemperatur:	- 25 °C bis + 70 °C
Umgebungstemperatur:	- 10 °C bis + 110 °C
Luftfeuchtigkeit:	max. 95 %
Schutzklasse:	IPX4

9.2. Infrarotstrahler irl-500

Leistung:	500 W
Spannung:	230 V AC
Abmessungen (B x H x T):	180 x 836 x 66,5 mm
erforderlicher Ausschnitt (B x H):	151 x 825 mm
Lagertemperatur:	- 25 °C bis + 70 °C
Umgebungstemperatur:	- 10 °C bis + 110 °C
Luftfeuchtigkeit:	max. 95 %
Schutzklasse:	IPX4

9.3. Infrarotstrahler irl-750

Leistung:	750 W
Spannung:	230 V AC
Abmessungen (B x H x T):	180 x 836 x 66,5 mm
erforderlicher Ausschnitt (B x H):	151 x 825 mm
Lagertemperatur:	- 25 °C bis + 70 °C
Umgebungstemperatur:	- 10 °C bis + 110 °C
Luftfeuchtigkeit:	max. 95 %
Schutzklasse:	IPX4

NARVI

MAXIMUM
RELAXATION

Narvi Oy

Yrittäjätie 1

27230 Lappi, Finland

Tel. +358 207 416 740

www.narvi.fi

Narvi Oy reserves the right to make future changes to the products.