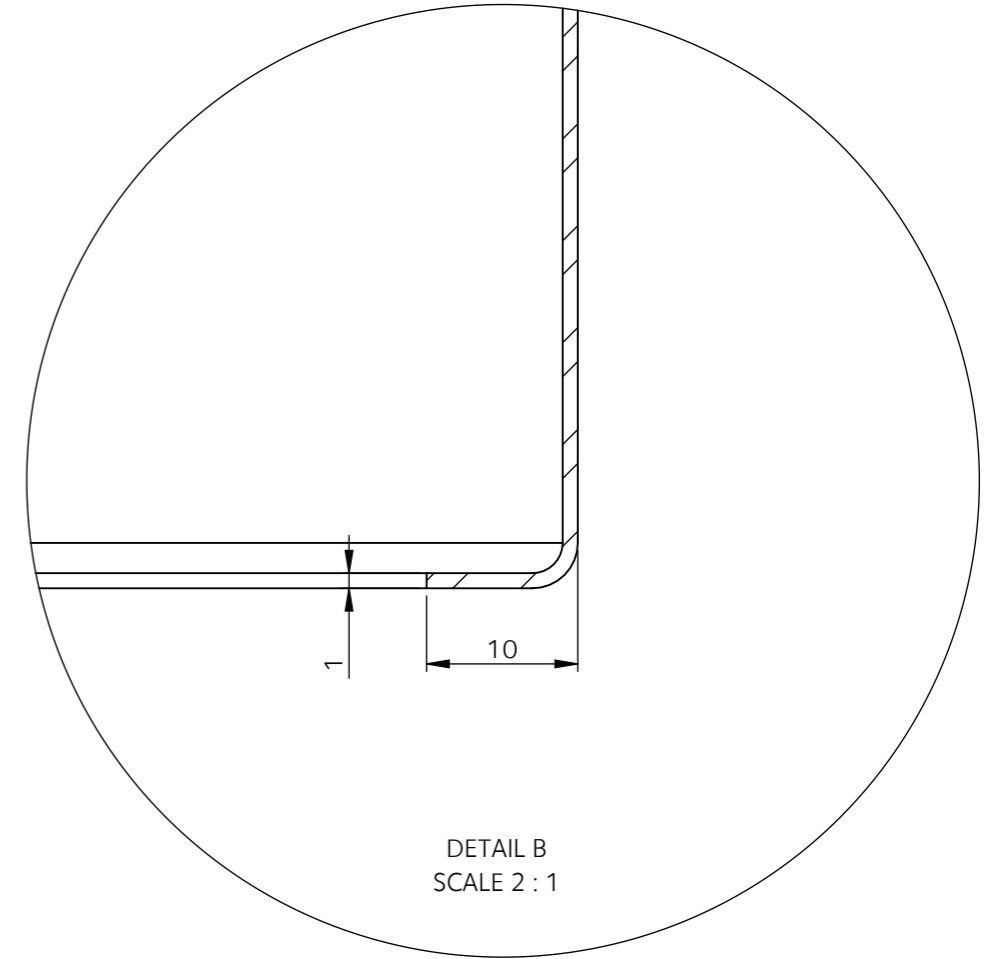
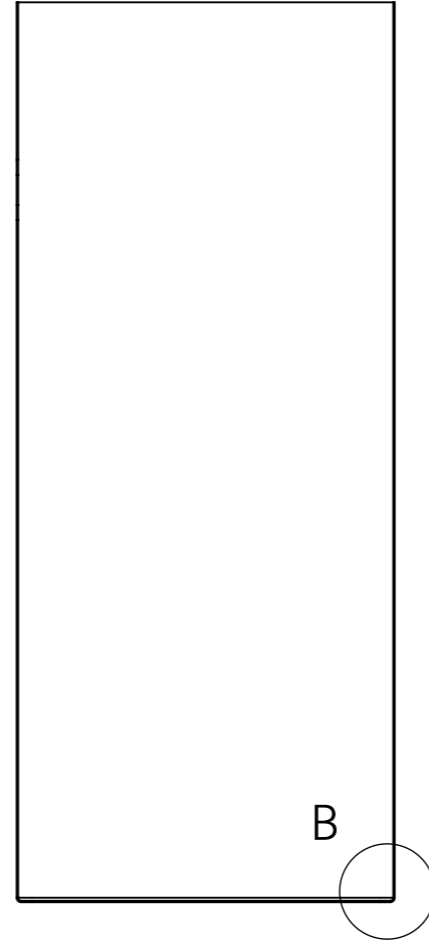
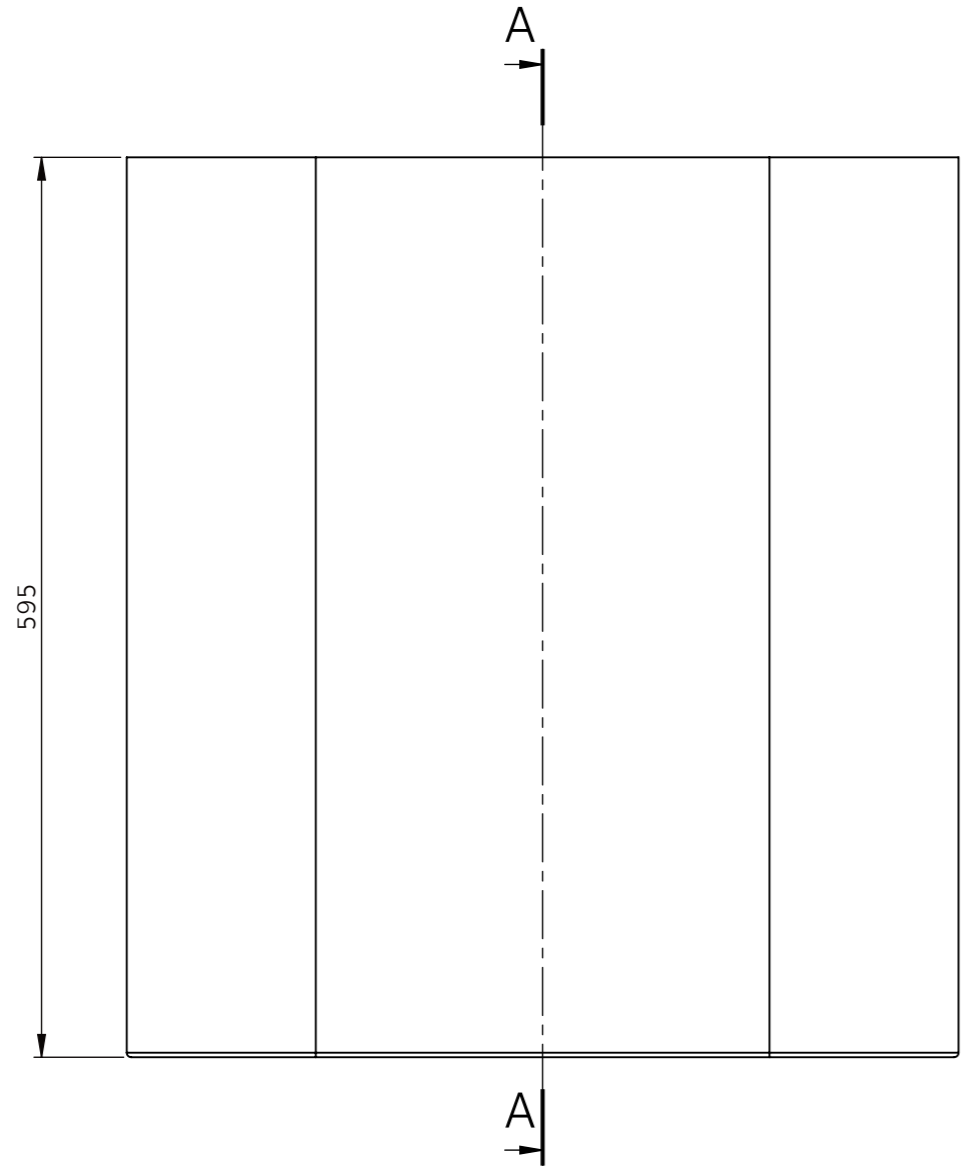
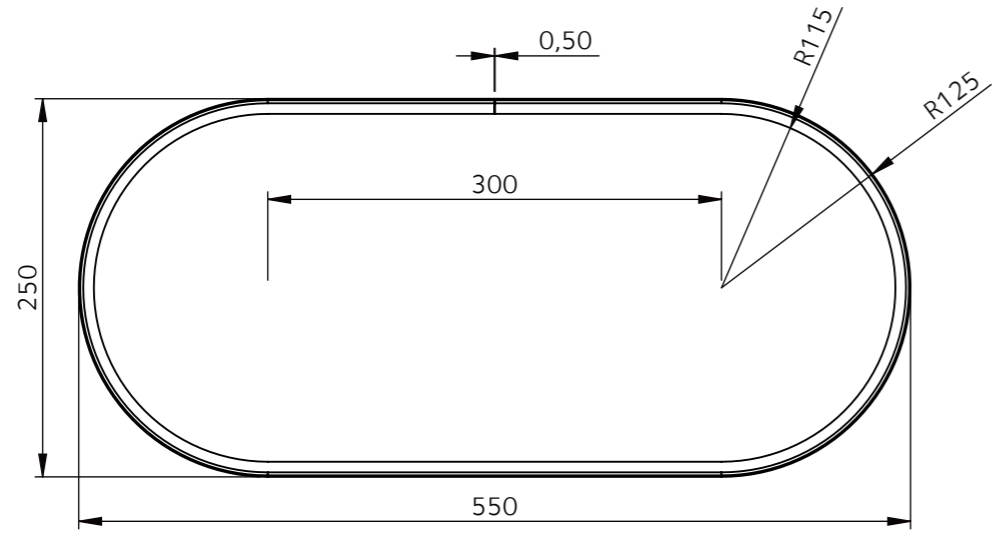


Ver.	4	Change	3	Date	2	Designer	1	Approver



SECTION A-A
SCALE 1 : 5



	Littyty/Depents		Toleranssi/Tolerance		Materiaali/Material		Pinnoite/Coating	
			ISO2768-m		AlZn			
Info	Pvm/Date		Nimi/Name		Nimitys/Description			
	Designer				Peltiverhoilu mankeloitu			
	Drawer							
	Inspector							
	Approver				ERP/PDM code		Ver.	
	Paino/Weight (kg)						A3	